



NC-CM-16

Nurse Call Control Module

16 Point Addressable Interface



UL 1069 and CSA C22.2#205
5002971

Intertek

BENEFITS

- Reliable Signaling
- No Maintenance
- Low Power
- Simple Wiring
- Easily Integrated to other Systems

The Tech Works **NC-CM-16** is the modular central equipment that monitors and powers up to 16 patient room call points. Each control module converts the status of call points to our RS485 Network Communication. Each Control Module is addressable on the Tech Works Network using a rotary switch to select one of 16 addresses. So 16 Control Modules, each monitoring 16 Patient Room Call Points is 256 Rooms per system.

The **NC-CM-16** is designed to monitor the **NC-DL-12** or **22** Dome Lights. Each Dome Light has circuitry to monitor two calls per room; Normal and Emergency. Each Dome Light has a "Signal" output that reports the status of that Dome Light to the Control Module by an Individual "Station Signal" wire. The Signal wire can be supervised for proper operation to each Dome Light. Supervision can be turned off globally in software by an "Option" dip switch. Unused inputs can be placed "Out of Service" by an individual dip switch for each input. Built in Station indicator lights tell the installer the status of all call points at any time.

Two wiring options are included on each **NC-CM-16** Control Module. Wire can either be run as a Buss Loop with an individual home run wire for signaling or as multiple home runs of CAT5, one from each room. Two sets of connectors are included.

The Control Module also includes "Zone" output terminals or CAT5 connectors for adding Zone Lights or Duty Stations. Each Zone output is dip switch selectable to display any combination of the 16 Room signals. Zone Lights can be 1 or 2 color with distinct signaling of Normal, Emergency, and Code calls.

Associated Equipment

NC-DL-12	Dome Light, 1 Color
NC-DL-22	Dome Light, 2 Color
NC-AN-16-T	16-point Annunciator
NC-AN-32-T	32-point Annunciator
NC-AN-64-T	64-point Annunciator
NC-SDS	Staff Duty Station
NC-SPS	Staff Presence Station
PS-2437A	Power Supply

Design Information

Power	24V DC
Color	White
Mounting	Wall / Backboard
Dimensions	8" W X 2" D X 6" H
Weight	5 lbs.

Architects' and Engineers' Specifications

The Nurse Call central Control Modules shall be modular, addressable units capable of powering and monitoring up to 16 patient room dome lights each. Control Modules shall be addressable digital network communication units capable of monitoring up to 16 rooms with room signal wire supervision, and communicating the room status on 16 unique digital network addresses, over a two twisted pair network to addressable annunciator and reporting devices. Any system not capable of monitoring, supervising the signal wires and reporting the status of 256 rooms over two twisted pair network will not be acceptable under this specification. The control Module shall operate from a UL Listed 24VDC Power Supply.

The Nurse Call central Control Modules shall be Tech Works Model NC-CM-16



Tech Works®

"Making Specialized Communication Easy"

800-813-1080

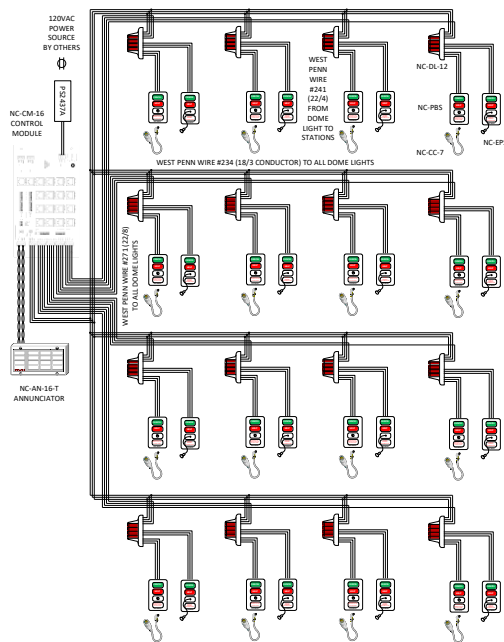
www.techworks-usa.com

3/25

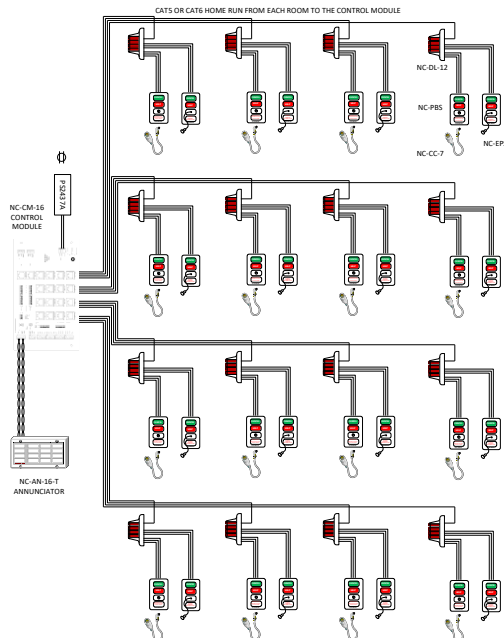


Quick Start Installation Instructions

Repurposed old style wiring



New installation CAT5 style wiring



For further system set up and adjustment please see the System Planning Guide by scanning the QR Code.

