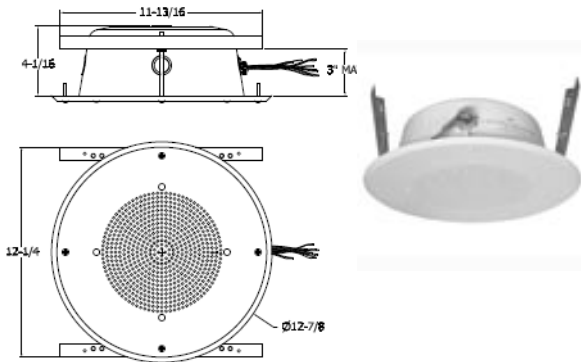




CRS-RC

Clean Room Speaker Round Ceiling Assembly w/ Back Box



Tech Works Model CRS-RC is a complete, recessed mount loudspeaker system for hard ceiling applications in clean room environments. Rubber gaskets are included between the baffle mount screws and the baffle, the baffle and backbox, and between the backbox and the ceiling.

The CRS-RC features a moisture resistant washable cone design loudspeaker with a 1" diameter voice coil and 10 oz. magnet to reproduce voice and music with excellent response and superb overall performance.

The CRS-RC includes a factory mounted 25V transformer. The 25-volt audio transformer has taps in 3dB increments from 1/4 watt to 5 watts.

The CRS-RC comes complete with a UL Listed metal enclosure for plenum rated ceilings and all mounting hardware.

BENEFITS

- Designed for clean room applications
- Moisture resistant and cleanable
- High quality 8" loudspeaker
- 25V transformer, grill and back box
- Attractive white finish
- Installs Easily to Save Time and Labor

Design Information

Power Taps	0.312, 0.625, 1.25, 2.5, 5.0 Watts
Frequency Response	60. – 17k Hz
Speaker Type	8" Cone with 10 oz. Magnet
Dispersion	90°
Sensitivity	102dB SPL, 5W / 1M
Color	White
Dimensions	12.25" Dia. x 4.0625" D
Weight	7 lbs.

Architects' and Engineers' Specifications

The ceiling mounted loudspeaker shall be a 12-inch round white ceiling panel with perforated steel grille designed for clean room applications. The ceiling speakers shall include an eight-inch cleanable moisture-proof cone loudspeaker with one-inch voice coil, a 25 volt audio transformer with taps at 3dB increments from 1/4 to 5 watts, a composite fire rated enclosure, ceiling blind mounting rails, and be covered with a white epoxy finished grill. The loudspeaker assembly must include gaskets to seal all joints to assure no dust or particulate matter gets into the room. The unit shall provide a frequency response of at least 60 Hz to 17,000 Hz, \pm 1.5dB with a sensitivity of at least 102dB, 5 watts, 1 meter
The Ceiling Mounted Clean Room Loudspeaker shall be Tech Works CRS-RC.



Tech Works®

"Making Specialized Communication Easy"