



Application Guide Nurse/Emergency Call



Benefits

- UL-1069/ADA compliant
- Scalable from 1 to 256 locations
- Integrate for messaging and reporting
- Increase staff efficiency
- Simple to install, use, and support
- Customizable notifications
- 36-month limited lifetime warranty
- Engineered and Built in the USA

No matter what type of healthcare facility, with a touch of a button or pull of a cord the medical staff will be alerted immediately when there is a need. Tech Works NC Series can be designed to give emergency/nurse call options that scale from 1 to 256 locations in a facility. These systems can be easily configured to meet the safety and emergency call measures of any healthcare organization. Staff can be equipped to monitor via flexible channels, from wireless to being fully integrated into their PBX systems.

Incorporating the Tech Works unified technology, the NC Series integrates standard telephone and digital control on a single twisted pair of wires. This enables the NC Series to operate flawlessly over any standard medium, including conventional telephone wire, fiber optic, and more.



Features

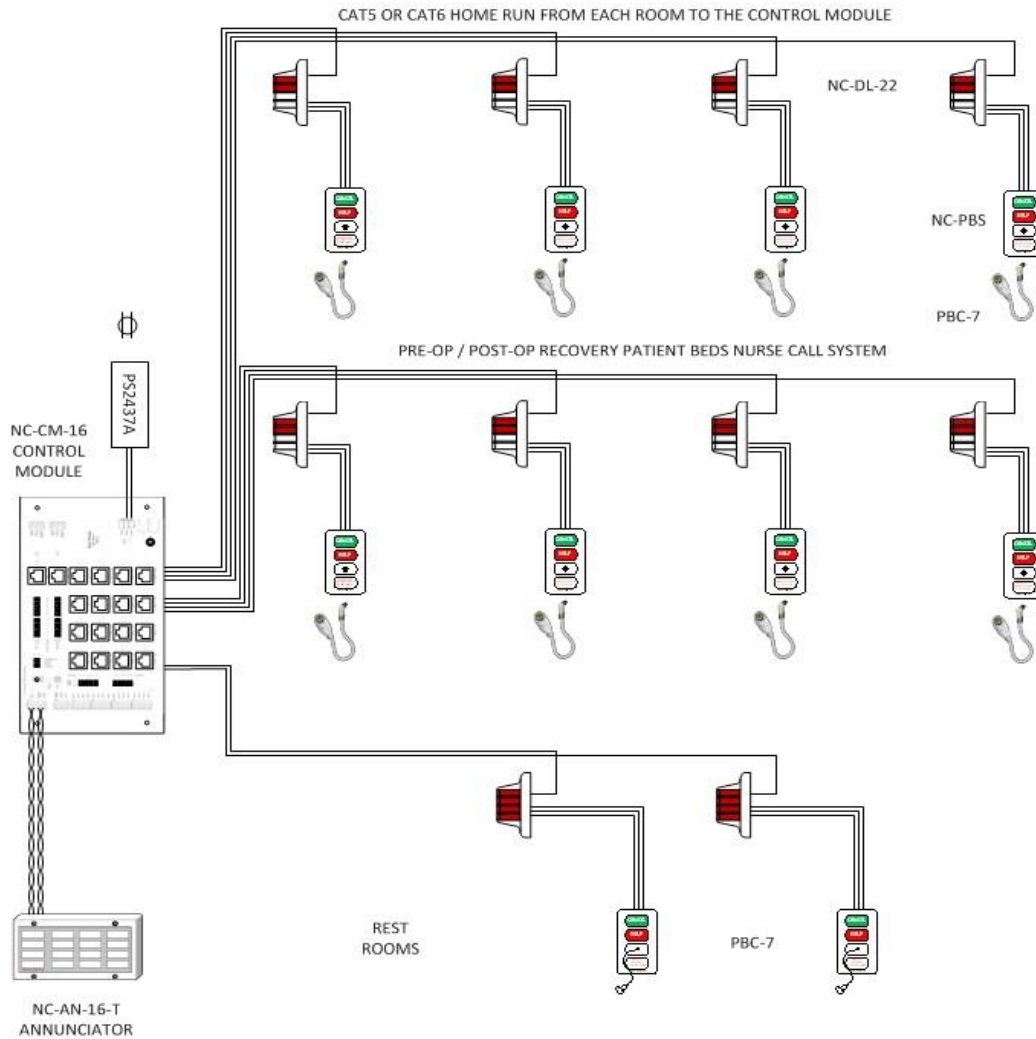
- | | |
|-------------------------|---|
| Modular | Enables a facility to design a system custom-tailored to their specific needs |
| Fully Integrated | Uses Tech Works unified technology and operates over any standard medium |
| Flexible | Designed to handle all of a clinic's operational communication needs |
| ADA Compliant | Call switches feature visual call acknowledgement |



Tech Works®

"Making Specialized Communication Easy"

System Design Layout and Connections



System components

Part No.

NC-PBS-1	Patient Bed Station, Single Bed
PBC-7	Call Cord - 7 feet long
NC-DL-22-RW	Dome Light-2 Color, Red/White, 2 Input
NC-EPS	Visual only Emergency Pull String Station with Acknowledge Light
NC-DL-12-RSCT	Dome Light-1 Color, Red, 2 Input, with Tone sounder unit
NC-CM-16	Control Module - 16 Point, Addressable Input Interface
NC-AN-16-T	Annunciator Panel - 16 Point, Tone/Visual
PS-2437A	Power Supply 3.7 Amps @ 24 VDC

Data sheets available at: <https://techworks-usa.com/dealer-ae/data-sheets/>

