



Application Guide Operating Room Code Blue



Benefits

- UL-1069/ADA compliant
- Scalable from 1 to 256 locations
- Integrate for messaging and reporting
- Increase staff efficiency
- Simple to install, use, and support
- Customizable notifications
- 36-month limited warranty
- Engineered and Built in the USA

More and more surgeries are performed in outpatient medical centers. Per the 2018 Facility Guidelines Institute (FGI) these facilities are supposed to include signaling systems to notify people outside of the operating room when an emergency occurs so that someone at a telephone location can call 911. Many states and municipalities are turning the FGI into Codes and Standards that inspectors are trying to enforce. Better care means better outcomes.

Also included in the FGI are recommendations for patient care in Pre-Op and Post-Op areas. This includes a Patient Call Cord in case the patient needs help and either a Staff Assist button or a Code Blue button or both so that staff can call for help if needed.



Features

Code Compliance

NC-Series meets and exceeds all of the levels of patient care and emergency signaling mandated for these applications.

3 Levels of Signal

The NC-DL-22-BW is a 2-color dome light that offers 3 levels of call from a single call point like a Bed or the Operating Room.

Patient Calls

If the Patient presses the Call Cord, the white light turns on steady.

Staff Assist

If the Staff Assist button built into the bed station is pressed the white light begins flashing.

Code Blue

If the Code Blue button is pressed the blue light begins flashing twice as fast as the staff assist white light.

3 Level Remote Annunciators

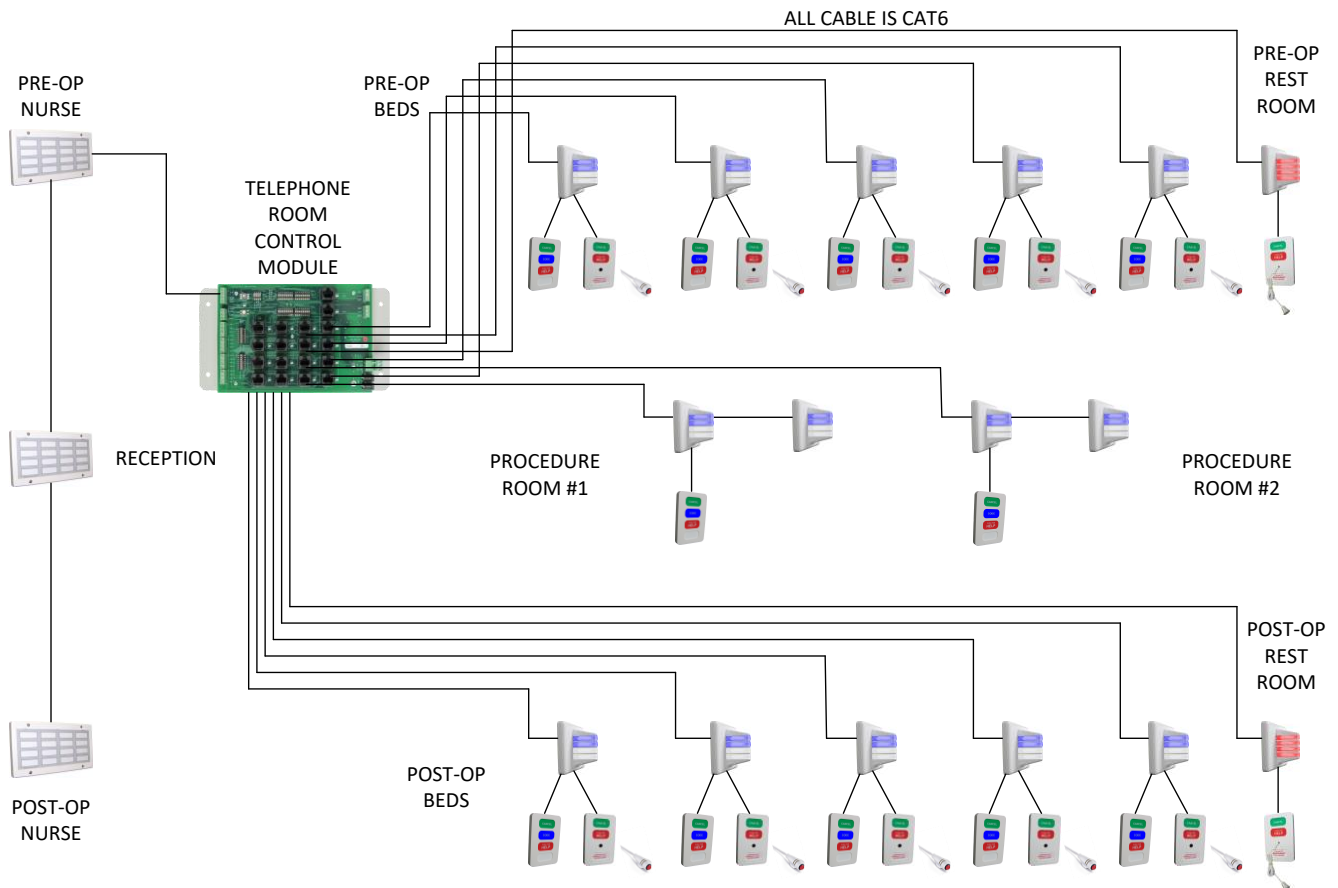
Remote Annunciators Light a light to match the dome light and sound a distinctly different tone with each level of call



Tech Works®

"Making Specialized Communication Easy"

System Design Layout and Connections



System components

Part No.	Description
NC-DL-22-BW	Dome Light, 2-Color, Blue White, with Code Blue Signaling
NC-PBS-1	Patient Bed Station
PBC-7	Patient Bed Call Cord 7 feet long
NC-CBAS	Code Blue wall Station with Staff Assist
NC-DL-12-RC	Dome Light, 1-Color, Red for Rest Rooms
NC-EPS	Emergency Pull Cord Stations next to toilets
NC-AN-16-T	Nurse Call Annunciators, 16 Stations, 2-Points per Station
NC-CM-16	Control Module
PS-2437A	Power Supply
NC-SDS	Staff Duty Stations located in break rooms and work rooms (not shown on the drawing above)

