



MC-NC2-VPSS-2G-RC

VANDAL RESISTANT SPEAKER STATION

w/Integral Call-In Switch
And Call Confirmation Light

The Tech Works **MC-NC2-VPSS-2G-RC** is a two gang Vandal Resistant Passive Intercom Speaker Station designed for very demanding environments. The Speaker Station employs a computer designed speaker/microphone and acoustic coupler that delivers superior speech intelligibility. The speaker/microphone is moisture resistant and employs three steel barriers to protect it from tampering and vandalism. The integral "Call-In" switch is hermetically sealed and utilizes a limited travel actuator to protect from excessive force or moisture. The "**RC**" stands for Remote Cancel meaning that the call can be canceled from the administrative console or a remote contact like a key switch or push button.

An ultra-bright LED call confirmation light lets the caller know that their call has been placed. The Loudspeaker is a 2 inch frame, 8 ohm voice coil device with a 25 Volt audio transformer for high sensitivity listening and proper matching for articulate speech output. The 12-gauge stainless steel faceplate and tamperproof mounting hardware makes the **MC-NC2-VPSS-2G-RC** almost indestructible.

2 RJ45 jacks on the rear of the station make wiring easy. Standard CAT6 cable terminated to standard 568B is all that is required for full operation. Jumpers on the rear select call priority

BENEFITS

- Reliable Signaling
- No Maintenance
- Low Power
- Simple Wiring
- Easily Integrates to other Systems
- Attractive Station Hardware

Associated Equipment

MC-IP-116-NC2	Audio Intercom Control Module
MC-DL-22-RW	Dome Light Red/White
MC-NC2-DL-44	MC-NC2-DL-44

Design Information

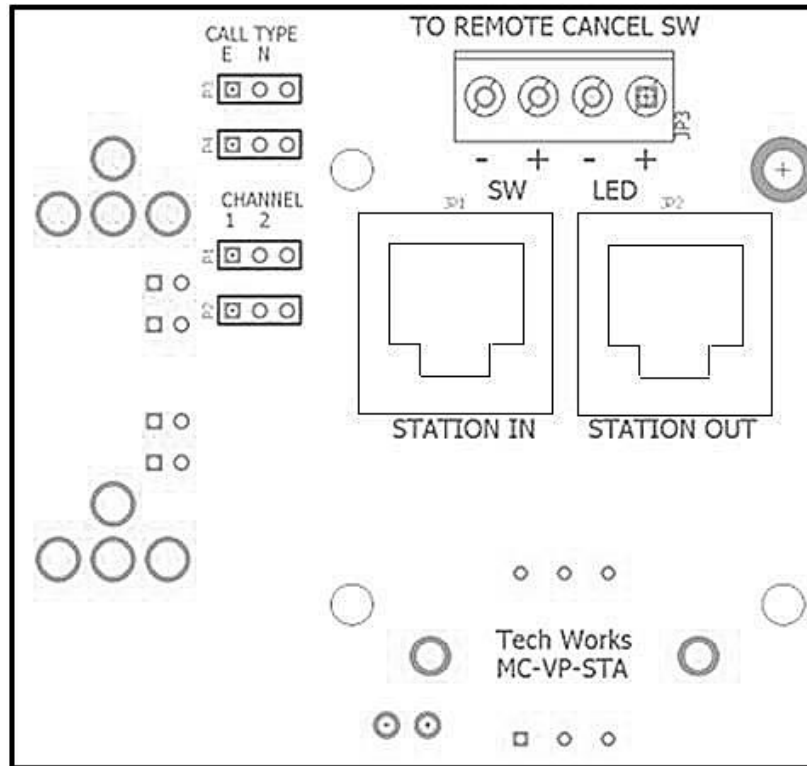
Power Taps	25V – ½ Watt
Speaker	2" Water Resistant
Call Switch	Normally Open Momentary
Illumination	24V DC LED
Color	Brushed Stainless Steel
Dimensions	4.75" W x 4.75" H x 1.25" D
Mounting	2 Gang Back Box



Tech Works®

"Making Specialized Communication Easy"

MC-NC2-VPSS-2G-RC Connections



Wiring

The MC Stations have a variety of options and features that are unique to each product. All Station wiring is a CAT5 or CAT6 in and out. The installer then chooses if the call is and “E” for Emergency or an “N” for a normal call to set the station priority and the Channel which set the top or bottom of an associated dome light.

Remote Cancel is built in for those that want to remotely reset the station via a button or key switch.

Architects' and Engineers' Specifications

The Passive Intercom Speaker Station shall be a two gang moisture resistant design employing three steel barriers and a 12 gauge stainless steel faceplate with special mounting hardware to protect it from tampering and vandalism. The integral "Call-In" switch shall be hermetically sealed and utilize a limited travel actuator to protect it from excessive force or moisture and include a concentric LED Call Confirmation Light. A moisture resistant 25 Volt speaker shall deliver clear loud audio as both a microphone and a speaker.

The Nurse Call System Speaker Station shall be Tech Works Model MC-NC2-VPSS-2G-RC.

