



Application Guide Senior Care



Benefits

- UL-1069/ADA compliant
- Scalable from 1 to 256 locations
- Integrate for messaging and reporting
- Increase staff efficiency
- Simple to install, use, and support
- Customizable notifications
- 36-month limited warranty
- Engineered and Built in the USA

No matter what type of healthcare facility, with a touch of a button or pull of a cord the medical staff will be alerted immediately when there is a need. Tech Works NC Series can be designed to give emergency/nurse call options that scale from 1 to 256 locations in a facility. These systems can be easily configured to meet the safety and emergency call measures of any healthcare organization. Staff can be equipped to monitor via flexible channels, from wireless to being fully integrated.

Incorporating the Tech Works unified technology, the NC Series integrates digital control and old school analog wiring. This enables the NC Series to operate flawlessly over any standard medium, including CAT5/6, fiber optic, and more.

To view a brief demonstration please go to https://youtu.be/Oi9fuDM_KH8



Features

Modular	Enables a facility to design a system custom-tailored to their specific needs
Fully Integrated	Uses Tech Works unified technology and operates over any standard medium
Flexible	Designed to handle all of a clinic's operational communication needs
ADA Compliant	Call switches feature visual call acknowledgement



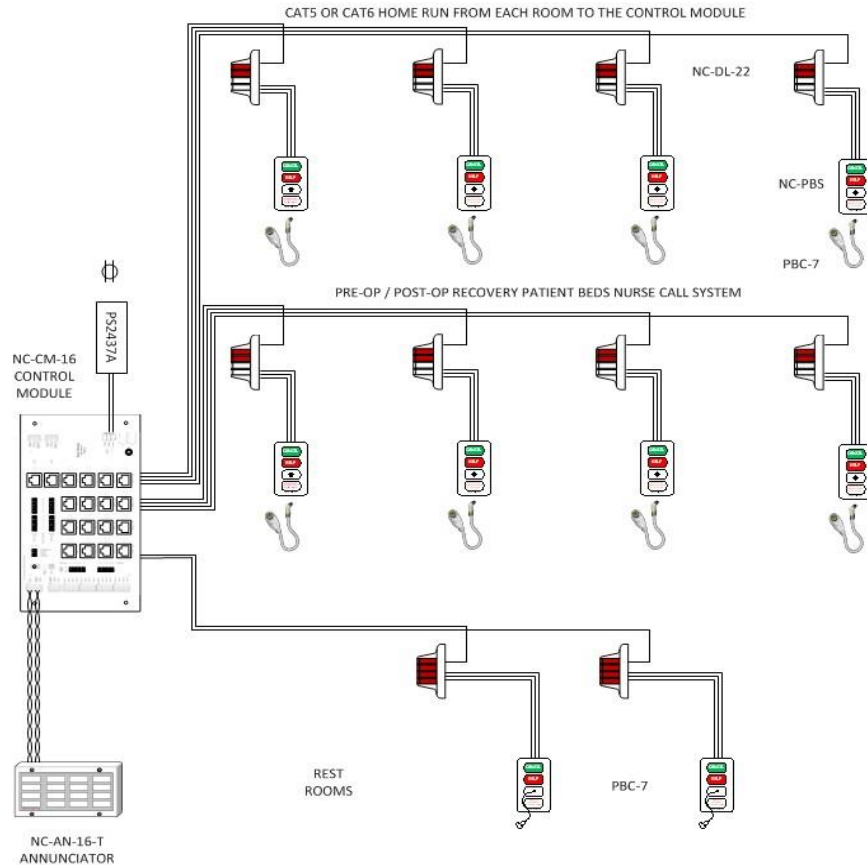
Tech Works®

"Making Specialized Communication Easy"

System Operation

Nurse Call operation is very simple. There are 3 levels of call; Normal, which is a patient calling for help and has a steady light, Emergency, which is either a bath room pull station of a Staff Assist and has an associated Flashing light and tone, or a Code Blue which means a Doctor needs immediate help and has an associated Super-Fast flashing light and tone. Any call that is placed lights a light on the station, a dome light in the corridor outside the room and an annunciator with tone at a staff location. To Cancel any call staff must go to the calling location and press the lighted Cancel button on the station that placed the call.

System Design Layout and Connections



System components

Part No.

NC-PBS-1	Patient Bed Station, Single Bed
PBC-7	Call Cord - 7 feet long
NC-DL-22-RW	Dome Light-2 Color, Red/White, 2 Input
NC-EPS	Visual only Emergency Pull String Station with Acknowledge Light
NC-DL-12-RSCT	Dome Light-1 Color, Red, 2 Input, with Tone sounder unit
NC-CM-16	Control Module - 16 Point, Addressable Input Interface
NC-AN-16-T	Annunciator Panel - 16 Point, Tone/Visual
PS-2437A	Power Supply 3.7 Amps @ 24 VDC

Data sheets available at: <https://techworks-usa.com/dealer-ae/data-sheets/>

