



NC-DL-22C-RW

Nurse Call-Dome Light 2 Color, 2 Input – Red/White



UL 1069 and CSA C22.2#205
5002971

The **NC-DL-22C-RW** is a stylish, exceptionally bright Nurse Call Dome Light and Controller all in one unit. It is the central tie point for the Patient Room, with wiring going to the Call Stations and to the Central Control Module. The Call stations are equipped with Momentary Switches that are monitored and latched in the Dome Light. The Call stations have Call Confirmation Indicators that display the same output as the Dome Light.

The **NC-DL-22C** supports Normal Calls and Emergency Calls and is compatible with our Code Blue products. When no calls are originating from a room, the Dome Light is Off. When a "Normal Call" is placed, the Dome Light illuminates the White Light On steadily. When an "Emergency Call" is pending, the Red Dome Light flashes. Calls must be cancelled from the Station where the Call was originated. The Dome Light will only turn off when calls are cancelled at both Call Stations.

For Systems with Central Reporting, the **NC-DL-22C** reports to the **NC-CM-16C**, Control Module. The Control Module also supplies Power and Flash synchronization for up to 16 Dome Lights.

The **NC-DL-22** are equipped with both screw terminals and an RJ45 CAT5 connector for installation convenience. All units are equipped with screw terminal wiring connections to two call stations. **NC-DL-22C** can be paralleled to allow 2 dome lights to display the same calls.

BENEFITS

- Reliable Signaling
- No Maintenance
- Low Power
- Simple Wiring
- Easily Integrates to other Systems
- Attractive Station Hardware

Associated Equipment

NC-CM-16	Control Module
NC-EPS	Emergency Pull Station
NC-PBS	Patient Bed Station

Design Information

Power	24V DC @ 80mA
Color	White
Mounting	1 or 2 Gang Back Box
Dimensions	5" W x 3" D x 5" H
Weight	1 lb.

Architects' and Engineers' Specifications

The Nurse Call System Dome lights shall be LED type with super bright light output and wide viewing angle. Dome Lights shall be supervised for proper Operation. Two call station inputs shall provide signaling of both Normal and Emergency Call from each room. In the event of system failure the Dome Lights shall be capable of standing on their own and continuing to function on a local basis even if the central equipment and annunciation systems fail.

The Nurse Call System Dome Lights shall be Tech Works Model NC-DL-22-RW

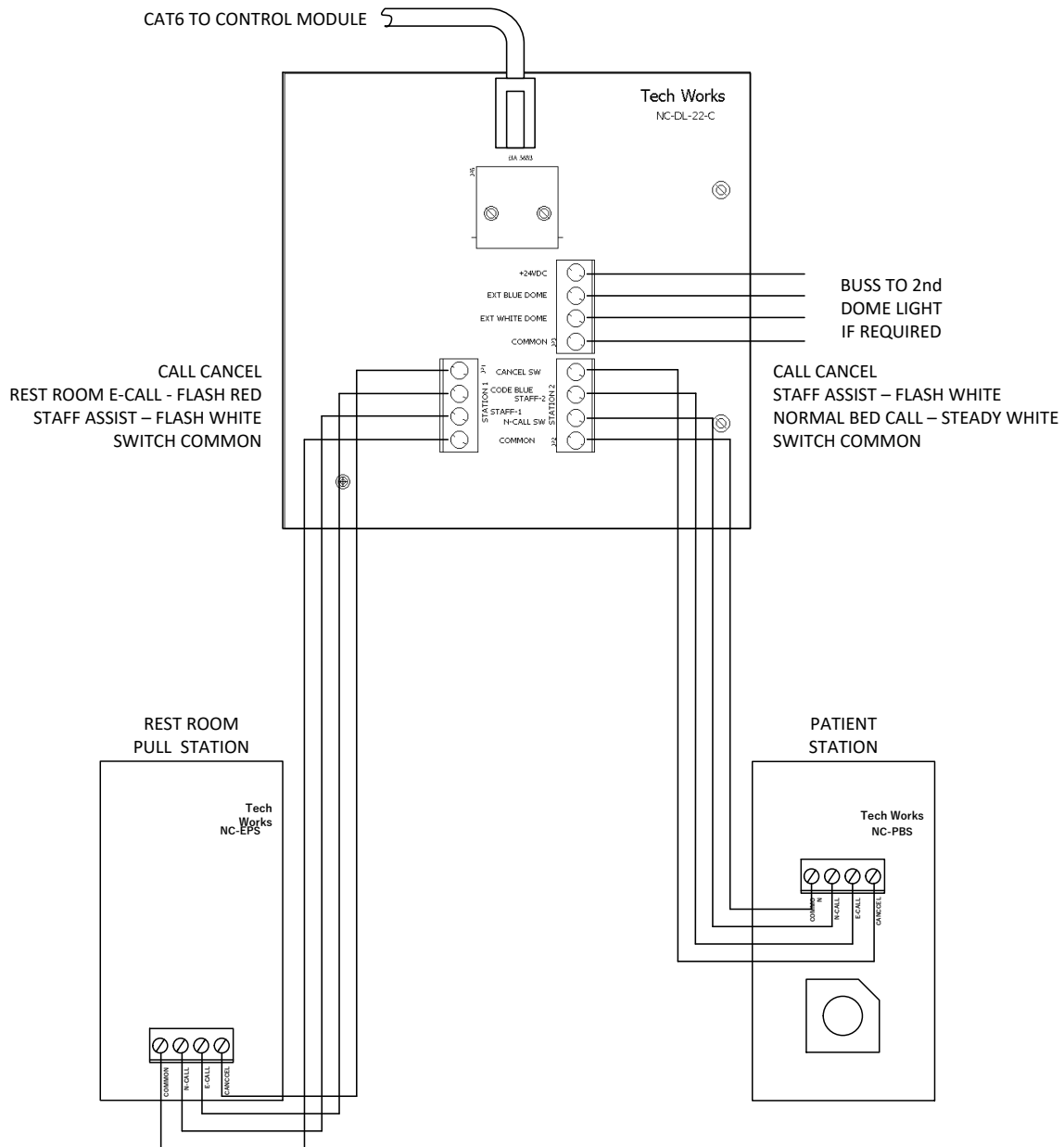


Tech Works®

"Making Specialized Communication Easy"



Quick Start Installation Instructions



For further system set up and adjustment please see the System Planning Guide by scanning the QR Code.

