



Application Guide Room Status



Benefits

- Greatly Increases Staff Efficiency
- Easy to Install and Expand
- User Friendly Controls
- Eliminates the Need for a Central Controller
- Many Customizable Options Available
- Engineered and Built in the U.S.A.
- 36-Month Limited Warranty - See website for details

Healthcare providers today are faced with an ever-increasing number of patients. This results in longer wait times and increased stress on both patients and staff. Streamlining the flow of patients is the single biggest contribution we can make to the healthcare industry. Our systems meet the specialized needs of Clinics with features like Dr. Follow which maximize exam room use and keep doctors moving.

Tech Works® offers easy-to-use, economical solutions to notify staff when patients are waiting, their locations, and which patient is next in the queue. It also tracks patient wait times for later analysis. Our Patient Arrival and Room Status products utilize the same technology developed for leading healthcare provider Kaiser Permanente. These systems were designed to be easy to install, easy to operate, and virtually maintenance free.



Features

- | | |
|-----------------------------------|--|
| Room Status | Color coded lights easily identify functions or staff |
| Doctor Follow | Increases efficiency by keeping staff organized. Staff can also keep track of the doctors current location |
| Patient Arrival
waiting | Lights are activated by pushing a button to communicate that a patient is waiting |
| Emergency Call | Push-For-Help buttons and Bath Pull-Stations allow staff and patients to call for help |
| ADA Compliant | Call switches feature visual call acknowledgement |

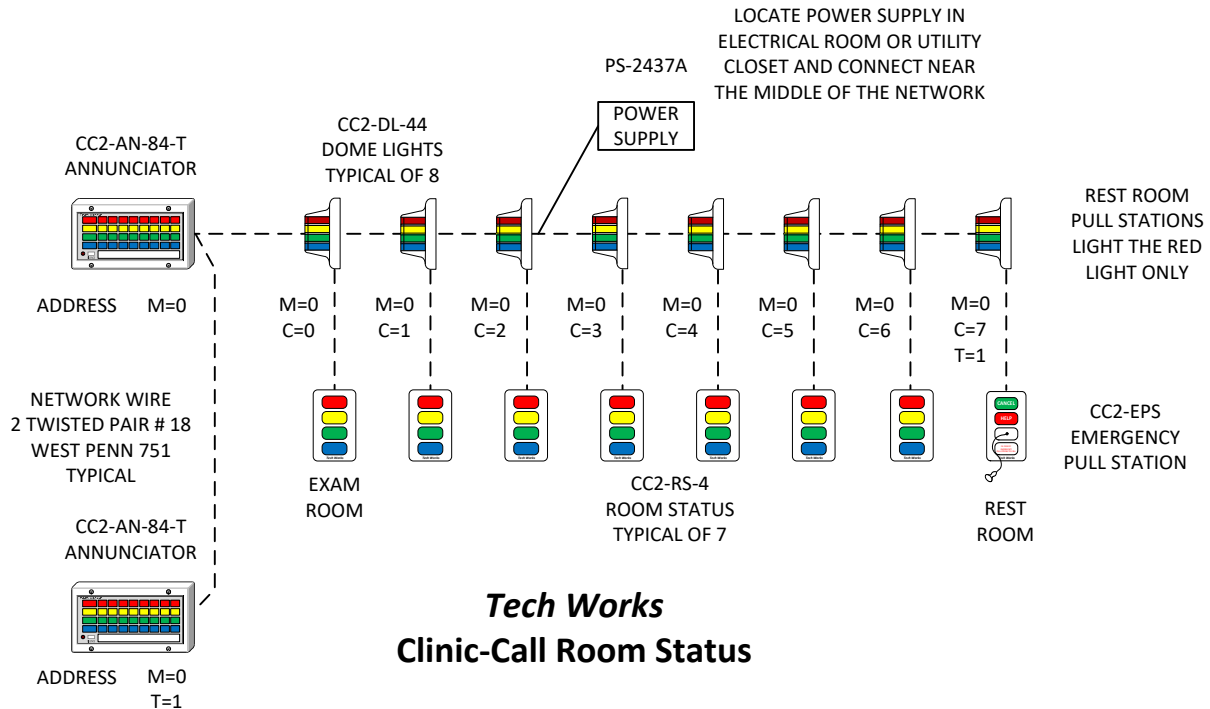


Tech Works®

Making Specialized Communication Easy

1-800-813-1080 | www.techworks-usa.com

System Design Layout and Connections



System Components

Part No.	Description
CC2-RS-4	Clinic-Call Room Status Substation with 4 Signaling Lights and 4 Buttons - 1 per Exam Room.
CC2-DL-44	Clinic-Call Dome Light - 4 Bright Colored Lights with Screw Terminals for passive devices - 1 per Exam Room
CC2-AN-84-T	Clinic-Call Annunciator-8 Column, 4 Row Bright Colors with Silence Button - 1 per 8 rooms. 1 per administrative location as required.
PS-2437A	Power Supply 3.7 Amps, 24V DC, UL/CSA Listed with Mounting Bracket
CC2PHS	Push for Help Station
CC2-CM-4	Clinic-Call - Control Module 4 I/O - No Buttons - Surface Mount
CC2-DL-1-R	Dome Light, 1 Color with 4 Bright Red LED's (Passive Device)
CC2-EPS	Visual only Emergency Pull String Station with Acknowledge Light (Passive Device)

Data sheets available at: <https://techworks-usa.com/dealer-ae/data-sheets/>



Tech Works®

Making Specialized Communication Easy